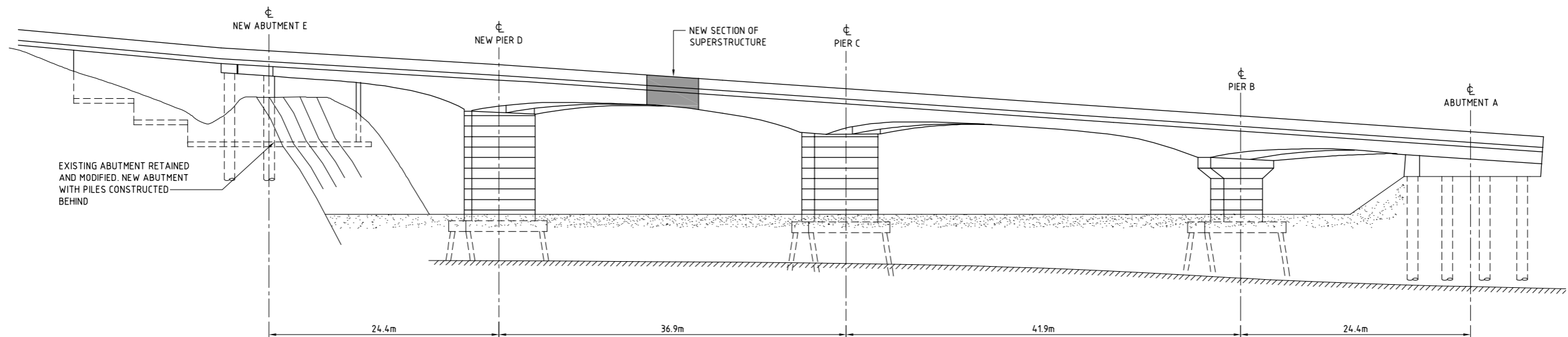


EXISTING BRIDGE LAYOUT
1:250



MODIFIED BRIDGE LAYOUT
1:250

No.	Revision	By	Chk	Appd	Date
B	FOR RESOURCE CONSENT	PMI			02.03.06
A	FOR NOTICE OF REQUIREMENT	PMI			28.10.05

Drawing Originator:
 **Engineers ■ Planners ■ Managers**

Original Scale (A1)	Design	Drawn	PN	10.05	Approved For Construction*
1:250	Dwg Check*				Date
Reduced Scale (A3)	Dwg Check*				
1:500	* Refer to Revision 1 for Original Signatures				

Client:  ARARAU AOTAROA

Project: VIC PARK TUNNEL DRAWINGS FOR RESOURCE CONSENT

Title: SHELLY BEACH FLYOVER PIER RELOCATION

Discipline	STRUCTURAL
Drawing No.	3120457-S901
Rev.	B